

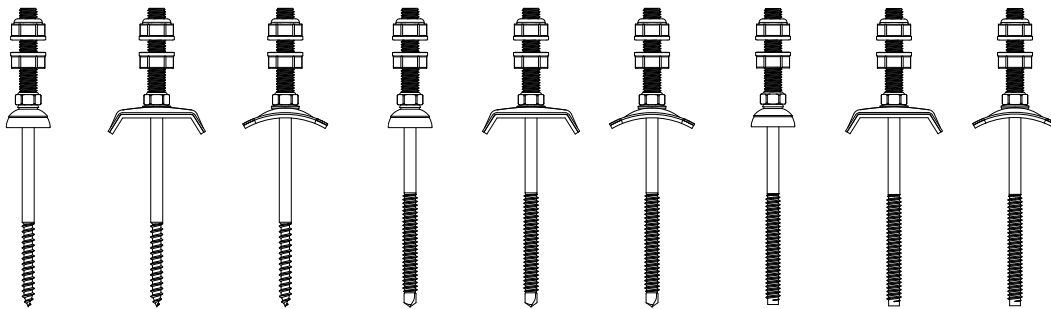
Montageanleitung

Solarbefestiger JA3-SB | JT3-SB | JZ3-SB

Assembly instruction

Solar Fastener JA3-SB | JT3-SB | JZ3-SB

Klassifikation



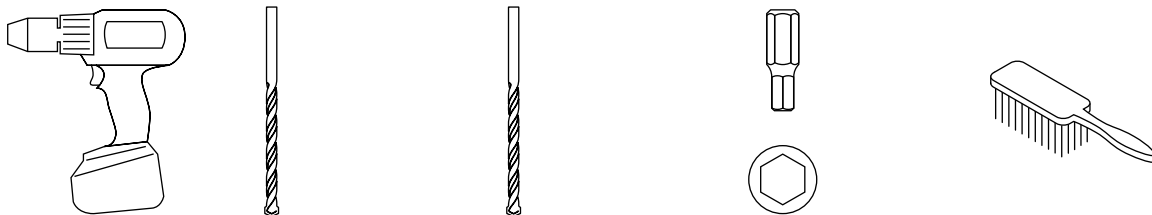
Befestiger	JA3-SB-8,0xL JA3-SB-10,0xL	JA3-SB-8,0xL JA3-SB-10,0xL	JA3-SB-8,0xL JA3-SB-10,0xL	JT3-SB-8,0xL	JT3-SB-8,0xL	JT3-SB-8,0xL	JZ3-SB-8,0xL	JZ3-SB-8,0xL	JZ3-SB-8,0xL
Dicht- element	Faserzement- dichtung FZD	Dichtscheibe E16	Dichtscheibe E16	Faserzement- dichtung FZD	Dichtscheibe E16	Dichtscheibe E16	Faserzement- dichtung FZD	Dichtscheibe E16	Dichtscheibe E16
ORKAN- Kalotte	-	Trapez	Welle	-	Trapez	Welle	-	Trapez	Welle
ETA	-	22/0762	22/0762	-	22/0762	22/0762	-	22/0762	22/0762
t₁	Faserzement- Wellprofil	Stahltrapez- profil / Sand- wichelement	Stahlwell- profil / Sand- wichelement	Faserzement- Wellprofil	Stahltrapez- profil / Sand- wichelement	Stahlwell- profil / Sand- wichelement	Faserzement- Wellprofil	Stahltrapez- profil / Sand- wichelement	Stahlwell- profil / Sand- wichelement
d₁ [mm]	11*	-	-	11*	-	-	11*	-	-
t_{II}	Holz	Holz	Holz	Stahl	Stahl	Stahl	Stahl	Stahl	Stahl

*Bitte beachten Sie die Vorgaben des Faserzement-Wellprofilherstellers.

Bohrlochdurchmesser

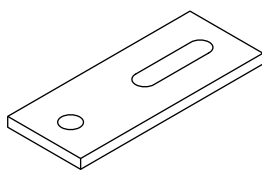
Befestiger	JA3-SB-8,0xL	JA3-SB-10,0xL	JT3-SB-8,0xL				JZ3-SB-8,0xL				
t_{II}	Holz	Holz	Stahl (S235-EN 10025-1)				Stahl (S235-EN 10025-1)				
t_{II} [mm]	≥ 32	≥ 32	1,5 < 3,0	3,0 < 5,0	5,0 < 7,5	7,5 < 10	≥ 10	1,5 < 5,0	5,0 < 7,5	7,5 < 10	≥ 10
d₀ [mm]	5,5	7,0	-	6,8	7,0	7,2	7,4	6,8	7,0	7,2	7,4

Montagewerkzeuge



Akku-Schrauber	d ₀ 11 mm*	d ₀ 6,8–7,4 mm	Form C 6,3 SW5	Handfeger
----------------	-----------------------	---------------------------	----------------	-----------

Zubehör



SB-Flachstahl
Artikelnummer 3110001000

Hinweise



Montageanweisung
Schienenhersteller

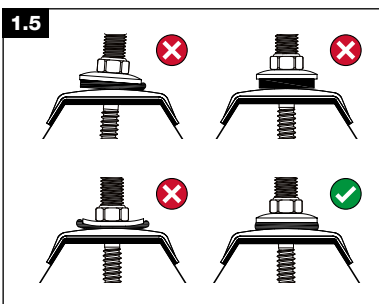
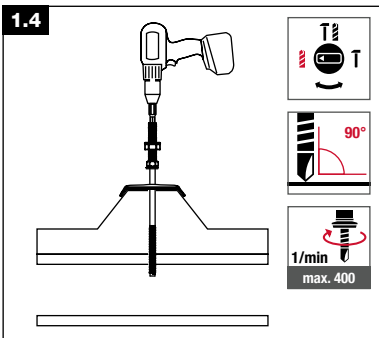
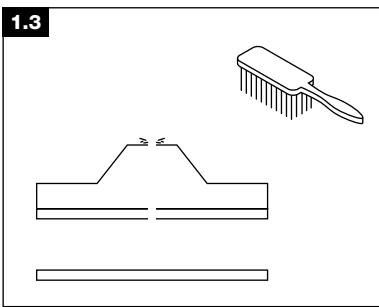
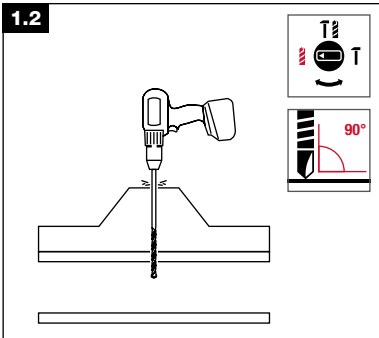
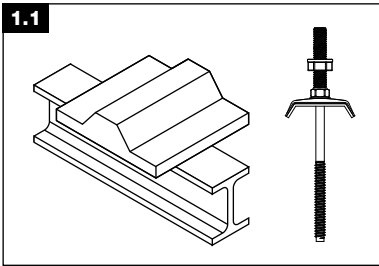


ETA-22/0762

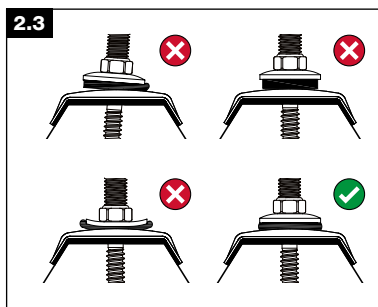
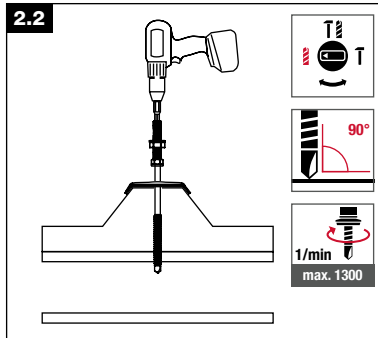
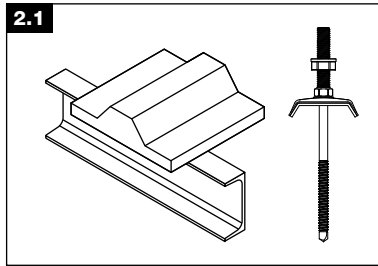


Achs- und Randabstände
(gültige Regeln der Technik)

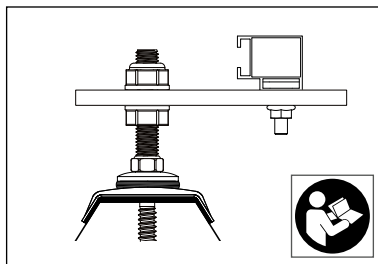
Montageablauf (Beispiel 1)



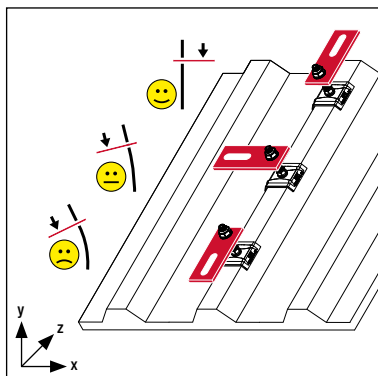
Montageablauf (Beispiel 2)



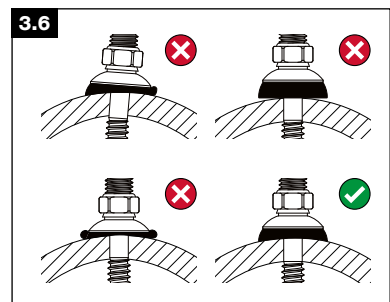
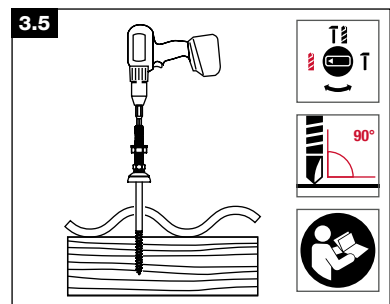
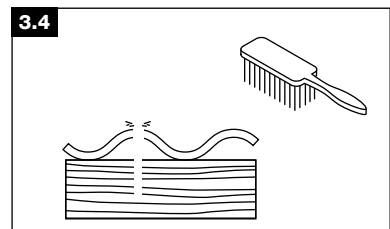
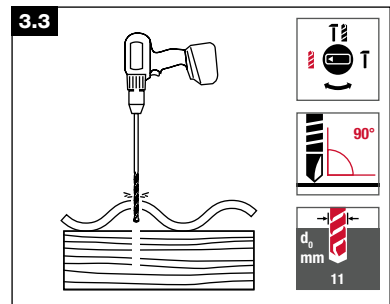
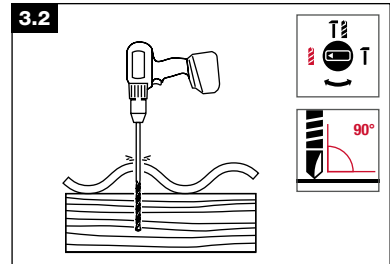
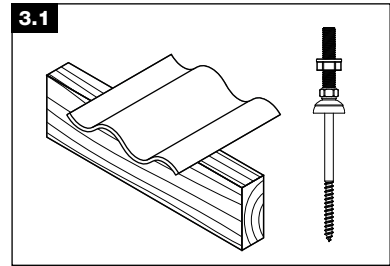
Schieneanbindung (Beispiel)



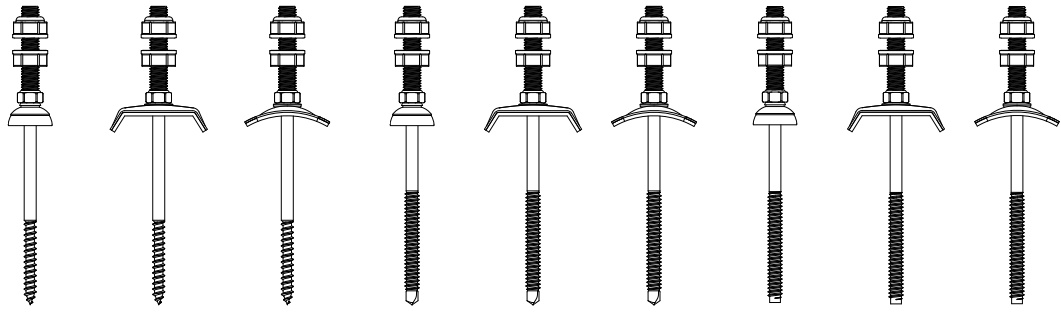
Ausrichtung SB-Flachstahl



Montageablauf (Beispiel 3)



Classification



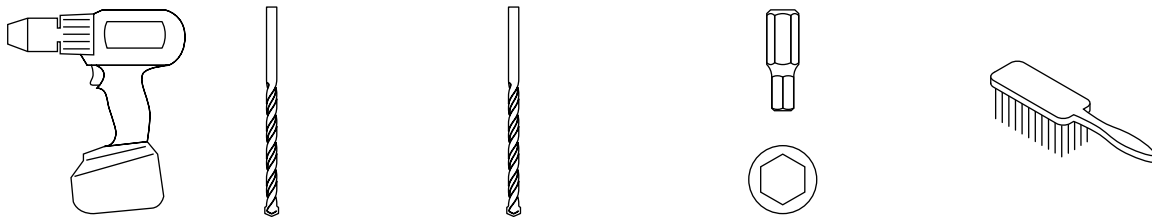
Fastener	JA3-SB-8.0xL JA3-SB-10.0xL	JA3-SB-8.0xL JA3-SB-10.0xL	JA3-SB-8.0xL JA3-SB-10.0xL	JT3-SB-8.0xL	JT3-SB-8.0xL	JT3-SB-8.0xL	JZ3-SB-8.0xL	JZ3-SB-8.0xL	JZ3-SB-8.0xL
Sealing element	Fibre cement seal FZD	Sealing washer E16	Sealing washer E16	Fibre cement seal FZD	Sealing washer E16	Sealing washer E16	Fibre cement seal FZD	Sealing washer E16	Sealing washer E16
ORKAN storm washer	-	Trapezoidal	Corrugated	-	Trapezoidal	Corrugated	-	Trapezoidal	Corrugated
ETA	-	22/0762	22/0762	-	22/0762	22/0762	-	22/0762	22/0762
t₁	Corrugated fibre cement profile	Trapezoidal steel profile / sandwich panel	Corrugated steel profile / sandwich panel	Corrugated fibre cement profile	Trapezoidal steel profile / sandwich panel	Corrugated steel profile / sandwich panel	Corrugated fibre cement profile	Trapezoidal steel profile / sandwich panel	Corrugated steel profile / sandwich panel
d₁ [mm]	11*	-	-	11*	-	-	11*	-	-
t_{II}	Timber	Timber	Timber	Steel	Steel	Steel	Steel	Steel	Steel

*Please observe the specifications given by the manufacturer of the corrugated fibre cement profile.

Drill hole diameter

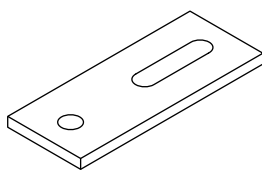
Fastener	JA3-SB-8.0xL	JA3-SB-10.0xL	JT3-SB-8.0xL				JZ3-SB-8.0xL				
t_{II}	Timber	Timber	Steel (S235-EN 10025-1)				Steel (S235-EN 10025-1)				
t_{II} [mm]	≥ 32	≥ 32	1.5 < 3.0	3.0 < 5.0	5.0 < 7.5	7.5 < 10	≥ 10	1.5 < 5.0	5.0 < 7.5	7.5 < 10	≥ 10
d₀ [mm]	5.5	7.0	-	6.8	7.0	7.2	7.4	6.8	7.0	7.2	7.4

Installation tools



Cordless screwdriver	d ₀ 11 mm*	d ₀ 6.8-7.4 mm	Form C 6.3 SW5	Hand brush
----------------------	-----------------------	---------------------------	----------------	------------

Accessories



SB flat steel
Article number 3110001000

Notes



Assembly instruction
rail manufacturer

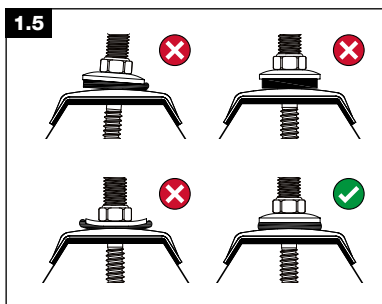
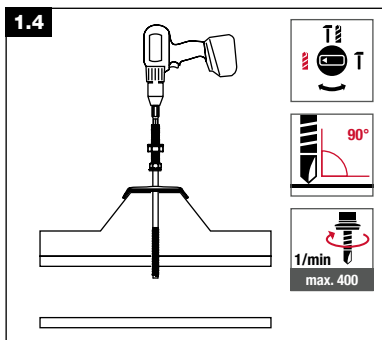
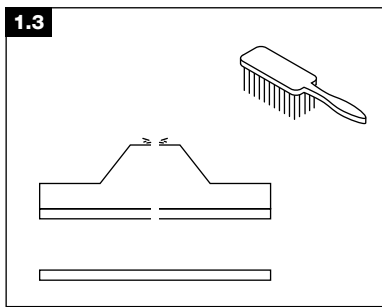
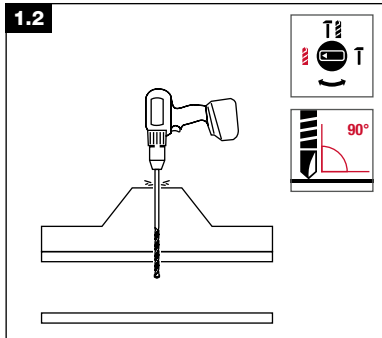
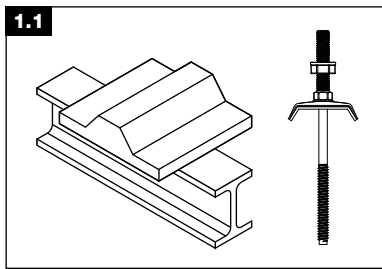


ETA-22/0762

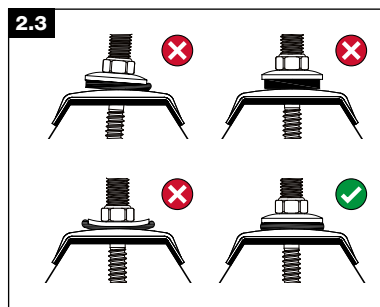
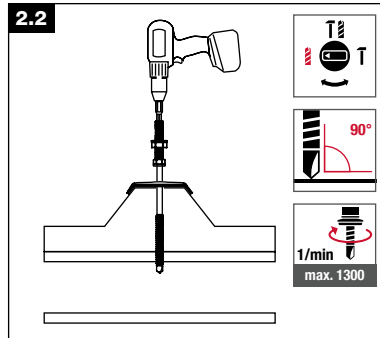
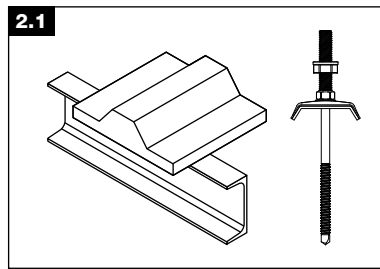


Edge distances and spacings
(valid rules of technology)

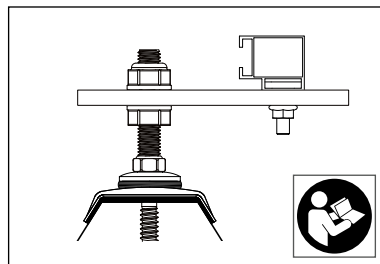
Installation process (example 1)



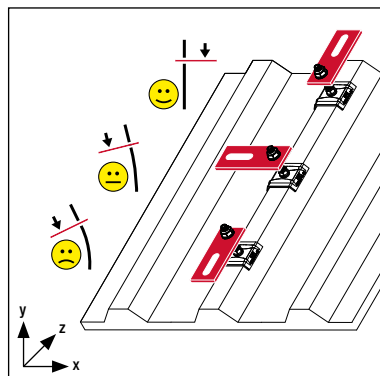
Installation process (example 2)



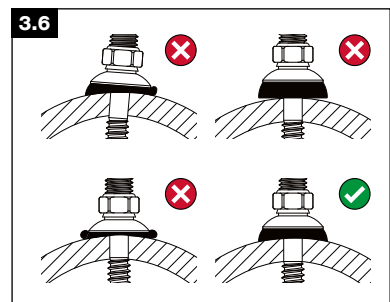
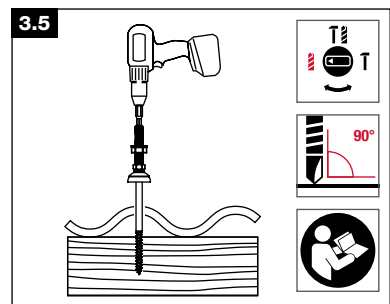
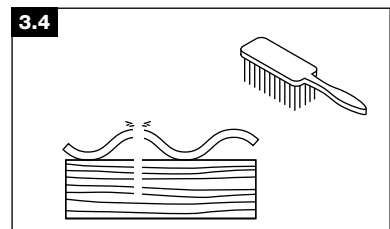
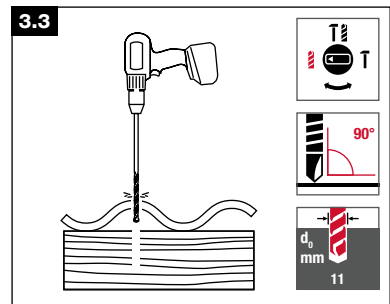
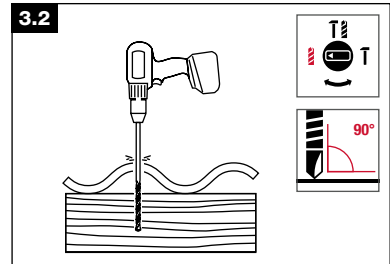
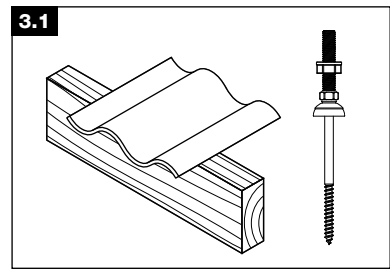
Rail connection (example)



Alignment SB flat steel



Installation process (example 3)





EJOT SE & Co. KG

Market Unit Construction

In der Stockwiese 35

57334 Bad Laasphe · Germany

T +49 2752 908-0

F +49 2752 908-731

construction@ejot.com

www.ejot.com/construction