



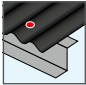
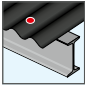
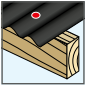
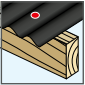





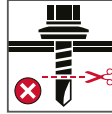


Bohrschrauben JT-FZ

Klassifikation

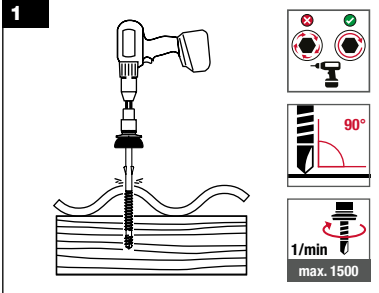
				
Befestiger	JT2-FZ-6,6,3 EJOGUARD	JT2-FZ-12-6,3 EJOGUARD	JT2-FZ-F-6,5	JT4-FZ-6,5
AbZ	-	-	Z-31.4-175 ETERNIT Z-31.4-174 ETERNIT	Z-31.4-175 ETERNIT Z-31.4-174 ETERNIT
Anwendung				

Hinweise

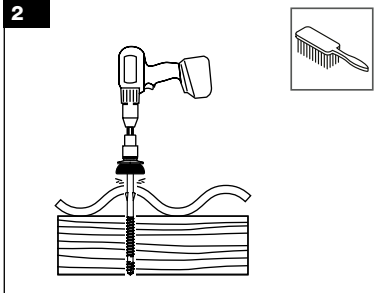
					
Montageanweisung Faserzementwellplatten- hersteller	Z-31.4-175 ETERNIT Z-31.4-174 ETERNIT	Fachregeln des Metall- leichtbaus (IFBS)	Augenschutz benutzen	Bis zur Montage trocken lagern	Bohrspitze nicht abschneiden!

Montageablauf

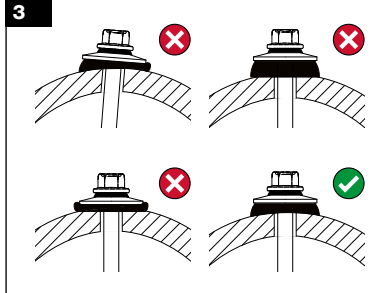
1



2



3





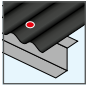
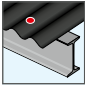
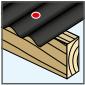
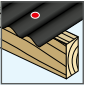


Self-drilling screws JT-FZ







DE

EN

Classification

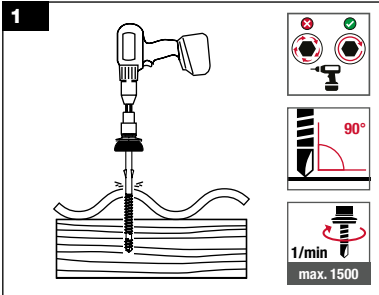
				
Fastener	JT2-FZ-6-6.3 EJO GUARD	JT2-FZ-12-6.3 EJO GUARD	JT2-FZ-F-6.5	JT4-FZ-6.5
National technical approvals (AbZ)	-	-	Z-31.4-175 ETERNIT Z-31.4-174 ETERNIT	Z-31.4-175 ETERNIT Z-31.4-174 ETERNIT
Application				

Notes

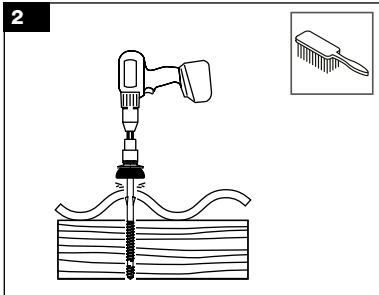
					
Assembly instructions from the manufacturers of corrugated fiber cement sheets	Z-31.4-175 ETERNIT Z-31.4-174 ETERNIT	Rules of lightweight metal construction (IFBS)	Eye protection must be worn	Store dry until installation	Do not cut off the drill point

Assembly process

1



2



3

