

# Through bolt BA-V-PLUS



Cross references	page
Cleaning brush	429
Blow-out pump	430
Tool belt	425
Hammer drill SDS plus	407
Installation tool for through bolts	426
Cordless hammer drill	398
Torque wrench	418
Socket wrench Cordless	417

### Application range

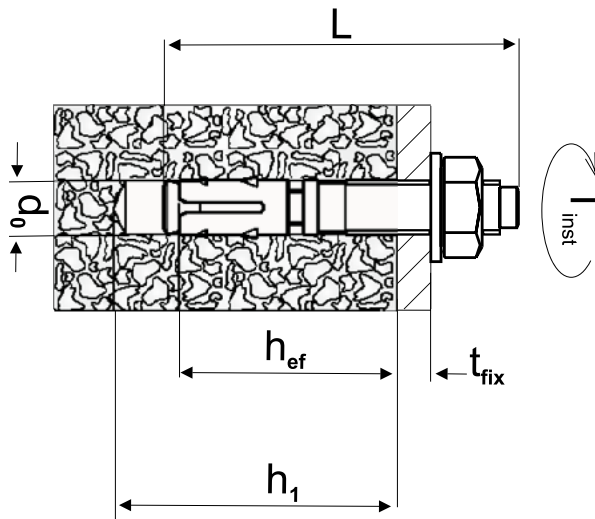
- > For embedment in cracked and non-cracked concrete  $\geq C20/25$
- > Dry internal conditions
- > For embedment of medium-heavy to heavy fixings such as pillars, metal structures and wooden structures
- > For pre-, push-through and distance installations

### Properties

- > Zinc-plated steel
- > Approval for concrete, option 1
- > Fire resistance classes F30, F60, F90, F120

### Note

Characteristic values apply to the compression strength of C20/25 concrete. Design load of an anchor for centric tension in cracked concrete.



### Applications



### Technical specifications

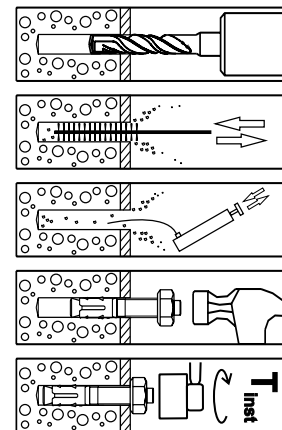


### Certifications



### Base materials

- Approved for
- > Cracked concrete
  - > Non-cracked concrete



Anchor type	Effective embedment depth $h_{ef}$ [mm]	Permitted load $F_{zul}$ [kN]	Centre distance [mm]			Edge distance [mm]			Permitted Bending moment $M_{zul}$ [Nm]	Seismic performance category	Tightening torque $T_{inst}$ [Nm]
			$s_{cr,N}$	$s_{min}$	C	$c_{cr,N}$	$c_{min}$	S			
BA-V Plus 8	35	2.4	106	55	75	53	40	140	15.0	15	
	48	4.0	144	35	50	72	40	55	15.0	15	
BA-V Plus 10	40	4.1	120	50	95	60	50	190	29.1	30	
	60	5.7	180	40	60	90	50	100	29.1	C2 30	
BA-V Plus 12	50	5.8	150	55	110	75	60	215	51.4	60	
	70	7.6	210	60	70	105	55	110	51.4	60	
BA-V Plus 16	85	11.4	254	65	95	127	65	150	125.6	110	





Product online



Order description	$d_0$ [mm]	L [mm]	$t_{fix} \leq$ [mm]	$h_1 \geq$ [mm]	$h_{ef} \geq$ [mm]	PU [pieces]	Price/100 [EUR]	Article number	EAN
<b>NEW</b> BA-V-PLUS-8/5/-	8	57	5	47	35	50		9650001308	4061245090719
BA-V-PLUS-8/23/10	8	75	23/10	47/60	35/48	50		9650001310	4061245037004
BA-V-PLUS-8/43/30	8	95	43/30	47/60	35/48	50		9650001312	4061245037011
BA-V-PLUS-10/10/-	10	72	10	55	40	40		9650001323	4061245037042
BA-V-PLUS-10/30/10	10	92	30/10	55/75	40/60	40		9650001325	4061245037059
BA-V-PLUS-10/40/20	10	102	40/20	55/75	40/60	25		9650001326	4061245037066
BA-V-PLUS-12/10/-	12	88	10	70	50	20		9650001338	4061245037103
BA-V-PLUS-12/25/5	12	103	25/5	70/90	50/70	20		9650001340	4061245037110
BA-V-PLUS-12/40/20	12	118	40/20	70/90	50/70	20		9650001342	4061245037127
BA-V-PLUS-16/20	16	138	20	110	85	10		9650001359	4061245038902
BA-V-PLUS-16/50	16	168	50	110	85	10		9650001362	4061245038926

Further lengths  
available upon request

