

EJOT® EPPsys DR

Secure fastening solutions for foamed components

The EJOT® EPPsys (EPP System) has been developed to fasten parts to foamed components, especially EPP (expanded polypropylene).

EJOT® EPPsys DR

The EPPsys DR (**D**irektverschraubung = direct assembly / **R**asthaken = snap-fit) combines the advantages of the EPPsys D with an alternative for subsequent component attachment. Two engagement hooks enable the easy attachment of thin-walled components.



Advantages of the EJOT® EPPsys DR

- All assembly features of the EPPsys D screw are valid
- Easy, subsequent attachment of EPP components to thin-walled components
- Easy and secure snap-fit of the mounted parts
- Large clamping thickness range
- Axial tolerance compensation within the clamping thickness range
- Radial tolerance compensation

Technical data EJOT® EPPsys DR 15x25

Thread exterior-Ø	15 mm
Thread length	25 mm
Head-Ø	24,3 mm
Total head height	17 mm
Internal drive	EJOT TORX® T25
Material	POM
Colour	black

Requirements for the clamping part

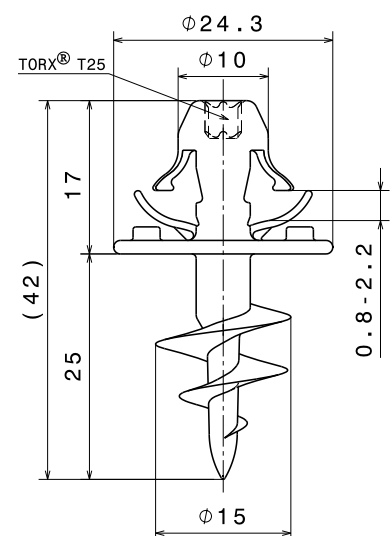
Hole-Ø recommendation	11 +/- 0,1 mm
Minimum clamp thickness	0,8 mm
Maximum clamp thickness	2,2 mm

Installation instruction and performance features EJOT® EPPsys DR

Screwdriver speed n = 500 1/min

Material	[g/l]	tightening torque	installation torque	stripping torque	axial pull-out load
		M_T [Nm]	T_I [Nm]	T_S [Nm]	
EPP	30	0.55	0.3	0.8	100
EPP	35	0.65	0.4	0.9	120
EPP	40	0.8	0.5	1.1	180
EPP	60	1.2	0.6	1.8	350
EPP	80	1.7	0.7	*	450
EPP	100	1.8	0.8	*	500
EPP	120	1.8	0.9	*	550
EPP	140	1.9	1	*	550
EPP	160	2	1.2	*	600
EPP	180	2	1.4	*	600

* M_s greater than 2,7 Nm - failure of the internal torx



For more information please contact Tony Wiegandt, phone +49 36252 42-361, fax 42-328, e-mail twiegandt@ejot.de