

EJOT® EPPsys RSD

Secure fastening solutions for foamed components

The EJOT® EPPsys (EPP System) has been developed to fasten parts to foamed components, especially EPP (expanded polypropylene).

EJOT® EPPsys RSD

The EJOT® EPPsys RSD (**Reibschweißdom** = friction-welding boss) is an effective fastening element for EPP foams and PP honeycomb elements.

Through the friction welding process the EPPsys RSD is embedded in the EPP foam and securely connects to the molten material.



EJOT® EPPsys RSD 50

Hole diameter	3,5 mm
Screw	dimensioned for EJOT DELTA PT® 50
Tightening torque	2,5 Nm

EJOT® EPPsys RSD 60

Hole diameter	4,5 mm
Screw	dimensioned for EJOT DELTA PT® 60
Tightening torque	4,0 Nm



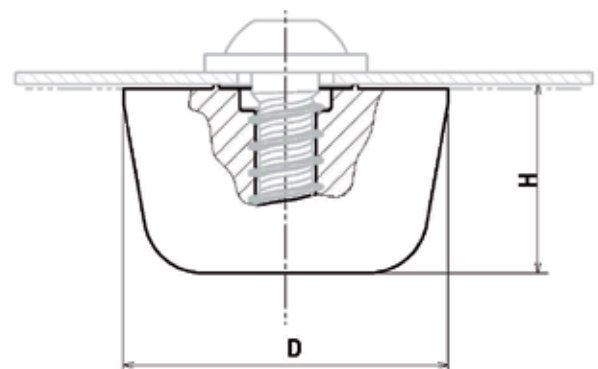
Advantages of the EJOT® EPPsys RSD

- Special system for EPP foams and honeycomb elements
- Suitable for almost all EPP foam sizes
- High torques
- High transmittable tensile forces
- No pilot hole in the foam necessary
- Easy assembly after the foam expansion
- Assembly independent of any component tolerances
- Clean assembly
- Weight savings

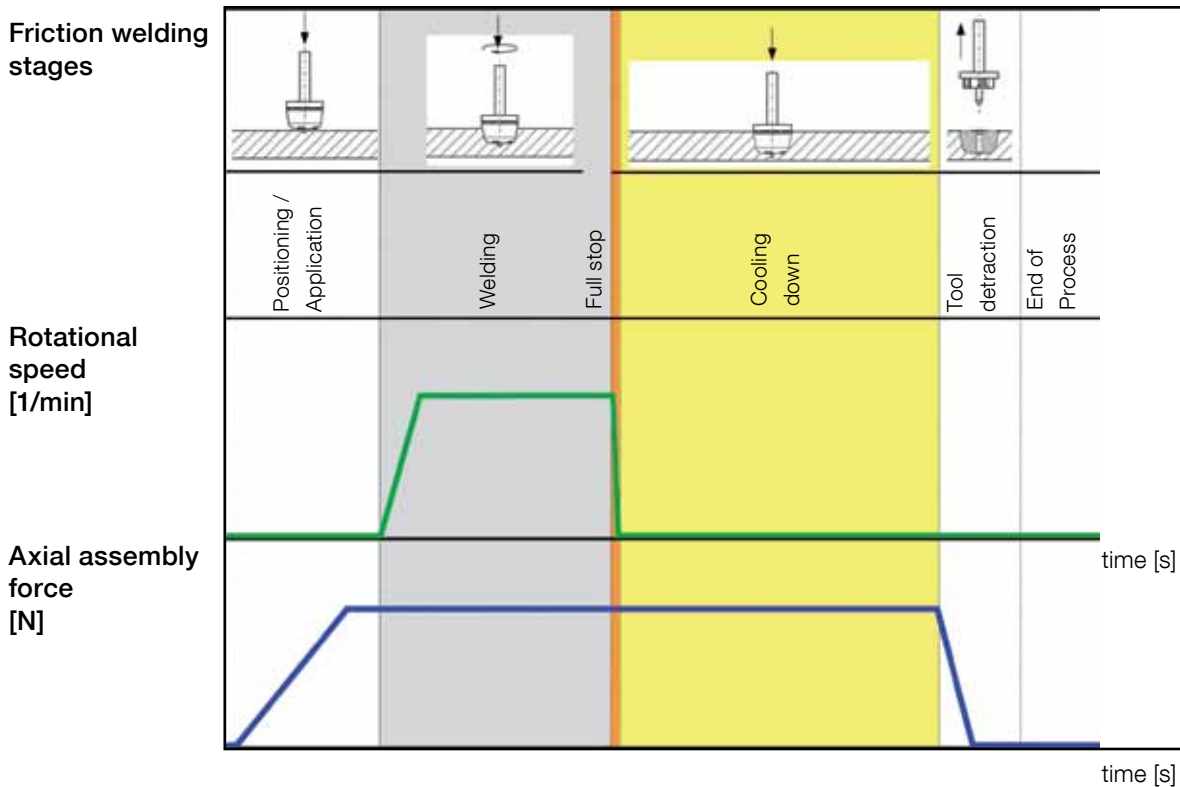


Technical Data

External diameter	22,0 mm
Height	12,8 mm
Material	PP
Colour	ecru



Friction Welding Process EJOT® EPPsys RSD



Installation Instruction and Performance Features EJOT® EPPsys RSD

- Manual assembly possible / automated assembly should be preferred
- Min. cooling time 3 sec.

Material		assembly torque	axial assembly force	welding time	axial pull-out load	loosening torque
	[g/l]	n [min ⁻¹]	F _M [N]	t _w [sec]	F _A [N]	M _L [Nm]
EPP	30	1500	60	3	200	3.5
EPP	35	1500	80	3	250	4
EPP	40	1500	120	3	300	4.5
EPP	60	2000	160	3	450	6
EPP	80	2000	300	2	750	9
EPP	100	3000	400	2	850	14
EPP	120	3000	600	2	1000	20
EPP	140	3000	600	2	1100	*
EPP	160	3000	600	2	1150	*
EPP	180	3000	700	3	1200	*
EPP	200	3000	800	3	1250	*
EPP	220	3000	800	4	1300	*

* T_L greater than 25 Nm - Failure of the inner contour of the EPPsys RSD

- With foam densities above 100 g/l a slight flaring at the edge of the EPPsys RSD might occur

For more information please contact Tony Wiegandt, phone +49 36252 42-361, fax 42-328, e-mail twiegandt@ejot.de